

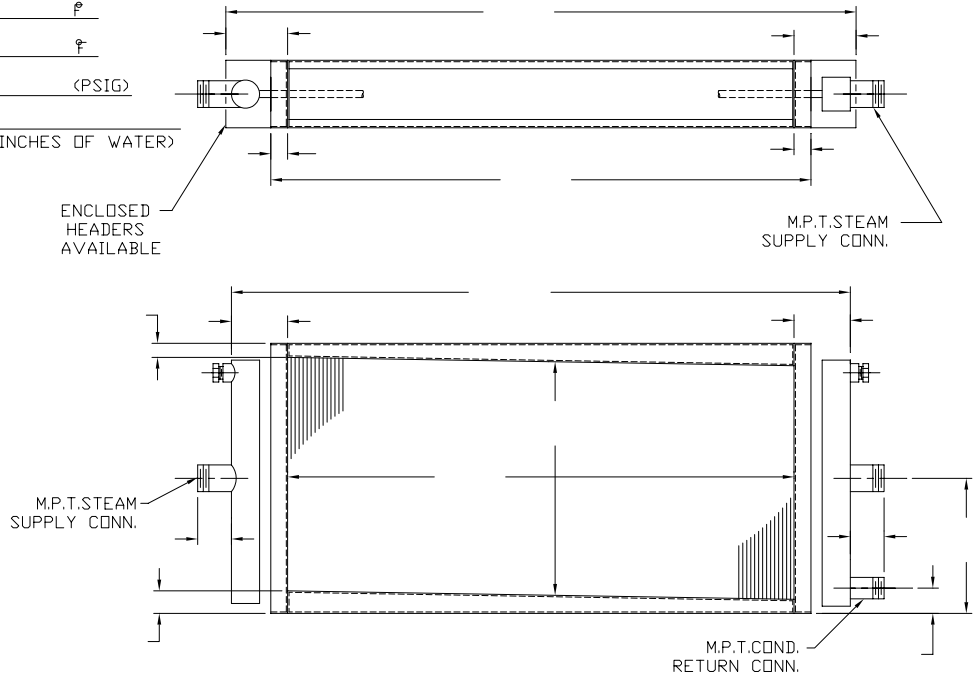
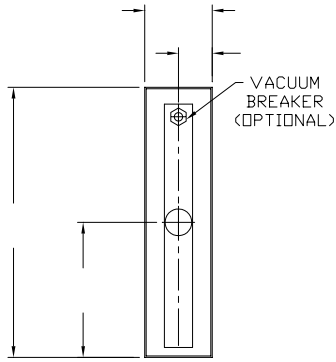
TUBING
(MAT'L./SIZE) = _____ S.C.F.M.= _____

FINS
(MAT'L.) = _____ ENT AIR TEMP.= _____ °F

FINS PER INCH = _____ LVG AIR TEMP.= _____ °F

ROWS DEEP = _____ STEAM PRESSURE = _____ (PSIG)

(IN DIRECTION OF AIR FLOW) AIR FRICTION = _____ (IN INCHES OF WATER)



				CUSTOMER ORDER NO.	ANDERSON SNOW SHOP ORDER NO.	DRAWN BY	TYPE "SDD" STEAM DISTRIBUTING COIL FOR (DUAL SUPPLY)	
DATE	SYM.	REVISION RECORD	DR.	CK.	JOB NAME		ANDERSON-SNOW CORPORATION -SCHILLER PARK, ILLINOIS 60176-	
TEST PRESSURES								DRAWING NO.
PRELIMINARY AIR TEST				PSIG AIR UNDER WATER				CAT. 007
FINAL FAB AIR TEST				PSIG AIR UNDER WATER				
FINAL TEST PRESSURES				PSIG				
MAXIMUM OPERATING PRESSURE				PSIG		°F		ALL DIMENSIONS ARE ± 1/8"