

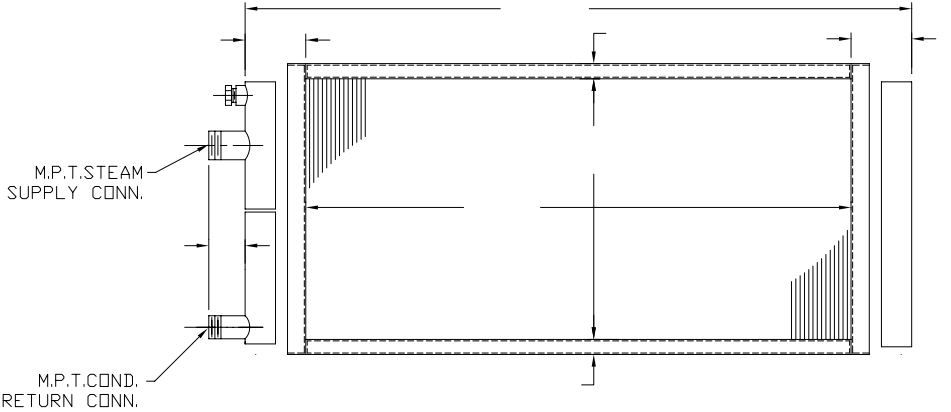
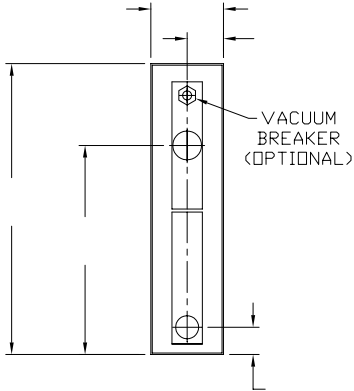
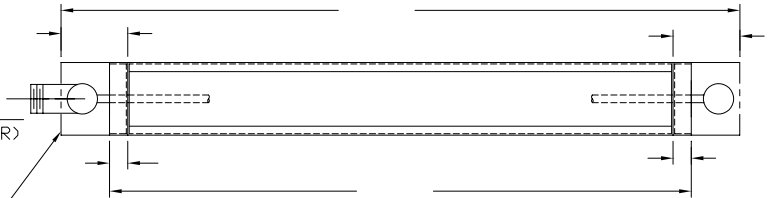
TUBING
(MAT'L./SIZE) = _____ S.C.F.M.= _____

FINS
(MAT'L.) = _____ ENT AIR TEMP.= _____ °F

FINS PER INCH = _____ LVG AIR TEMP.= _____ °F

ROWS DEEP = _____ STEAM PRESSURE = _____ (PSIG)

(IN DIRECTION OF AIR FLOW) AIR FRICTION = _____ (IN INCHES OF WATER)



				CUSTOMER ORDER NO.	ANDERSON SNOW SHOP ORDER NO.	DRAWN BY	TYPE "STD" LOW PRESSURE STANDARD STEAM COIL FOR (SAME END CONNECTIONS)	
DATE	SYM.	REVISION RECORD	DR.	CK.	JOB NAME		ANDERSON-SNOW CORPORATION -SCHILLER PARK, ILLINOIS 60176-	
TEST PRESSURES								DRAWING NO.
PRELIMINARY AIR TEST		PSIG	AIR UNDER WATER				CAT. 004	
FINAL FAB AIR TEST		PSIG	AIR UNDER WATER					
FINAL TEST PRESSURES		PSIG						
MAXIMUM OPERATING PRESSURE		PSIG	°F				ALL DIMENSIONS ARE ± 1/8"	