

TUBING
(MAT'L./SIZE) = _____

FINS
(MAT'L.) = _____

FINS PER INCH = _____

ROWS DEEP = _____
(IN DIRECTION OF AIR FLOW)

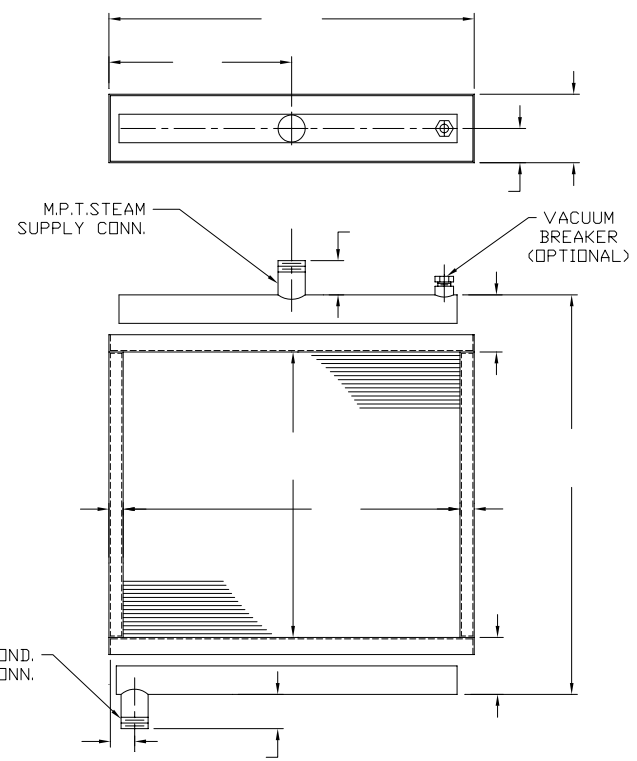
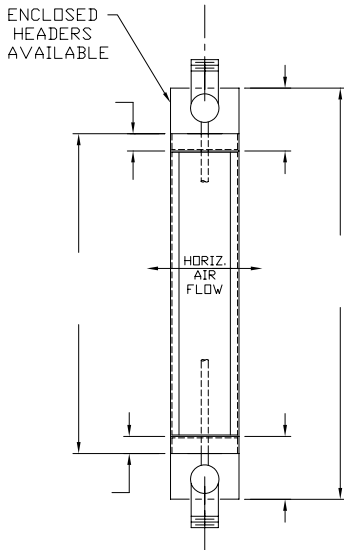
S.C.F.M. = _____

ENT AIR TEMP. = _____ °F

LVG AIR TEMP. = _____ °F

STEAM PRESSURE = _____ (PSIG)

AIR FRICTION = _____
(IN INCHES OF WATER)



				CUSTOMER ORDER NO.	ANDERSON SNOW SHOP ORDER NO.	DRAWN BY	TYPE "STD" STANDARD STEAM COIL (VERTICAL TUBES) FOR (OPPOSITE END CONN'S.)	
DATE	SYM.	REVISION RECORD	DR.	CK.	JOB NAME		ANDERSON-SNOW CORPORATION -SCHILLER PARK, ILLINOIS 60176-	
TEST PRESSURES								DRAWING NO.
PRELIMINARY AIR TEST		PSIG	AIR UNDER WATER				CAT. 003	
FINAL FAB AIR TEST		PSIG	AIR UNDER WATER					
FINAL TEST PRESSURES		PSIG						
MAXIMUM OPERATING PRESSURE		PSIG	°F				ALL DIMENSIONS ARE ± 1/8"	