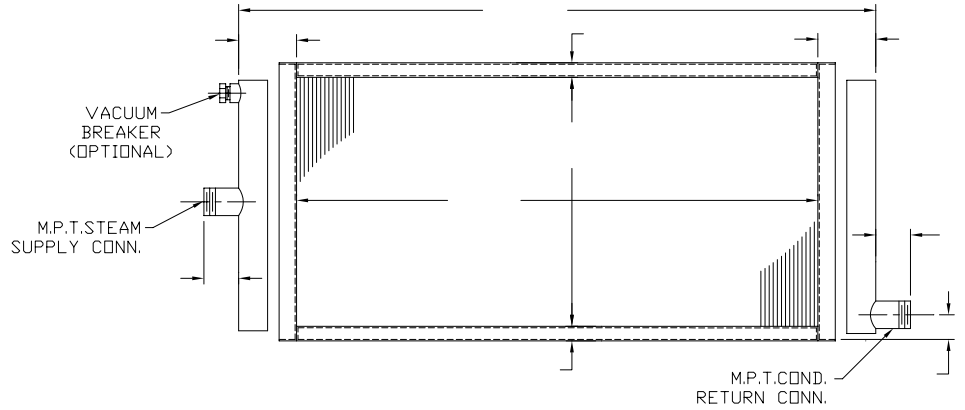
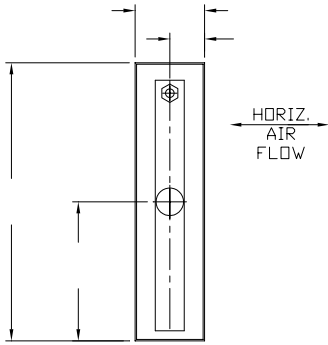
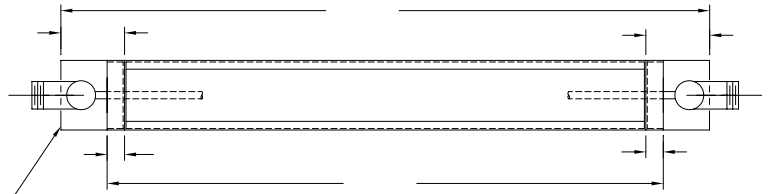


TUBING
(MAT'L./SIZE) = _____ S.C.F.M.= _____
 FINS
(MAT'L.) = _____ ENT AIR TEMP.= _____ °F
 FINS PER INCH = _____ LVG AIR TEMP.= _____ °F
 ROWS DEEP = _____ STEAM PRESSURE = _____ (PSIG)
 (IN DIRECTION OF AIR FLOW) AIR FRICTION = _____ (IN INCHES OF WATER)



				CUSTOMER ORDER NO.	ANDERSON SNOW SHOP ORDER NO.	DRAWN BY	TYPE "STD"	
							STANDARD STEAM COIL (HORIZONTAL AIR FLOW)	
							FOR	
							(OPPOSITE END CONN'S)	
DATE	SYM.	REVISION RECORD	DR.	CK.	JOB NAME		ANDERSON-SNOW CORPORATION	DRAWING NO.
							-SCHILLER PARK, ILLINOIS 60176-	CAT. 001
							ALL DIMENSIONS ARE ± 1/8"	
		TEST PRESSURES						
PRELIMINARY AIR TEST		PSIG AIR UNDER WATER						
FINAL FAB AIR TEST		PSIG AIR UNDER WATER						
FINAL TEST PRESSURES		PSIG						
MAXIMUM OPERATING PRESSURE		PSIG						